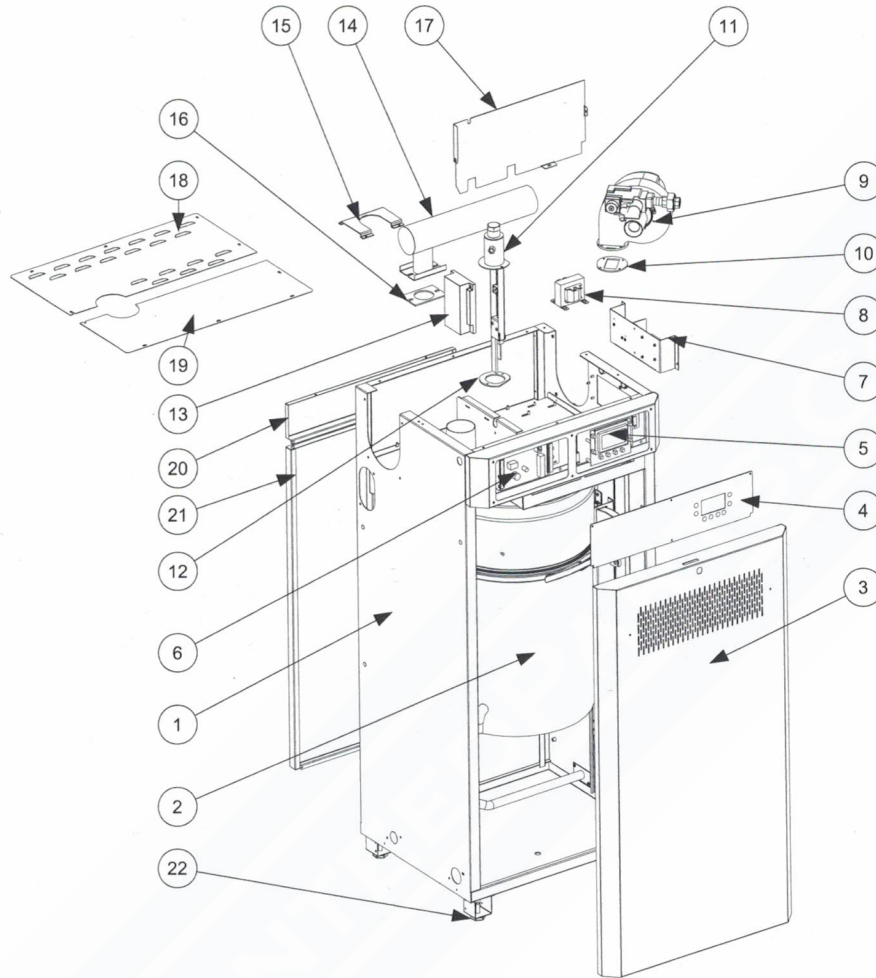
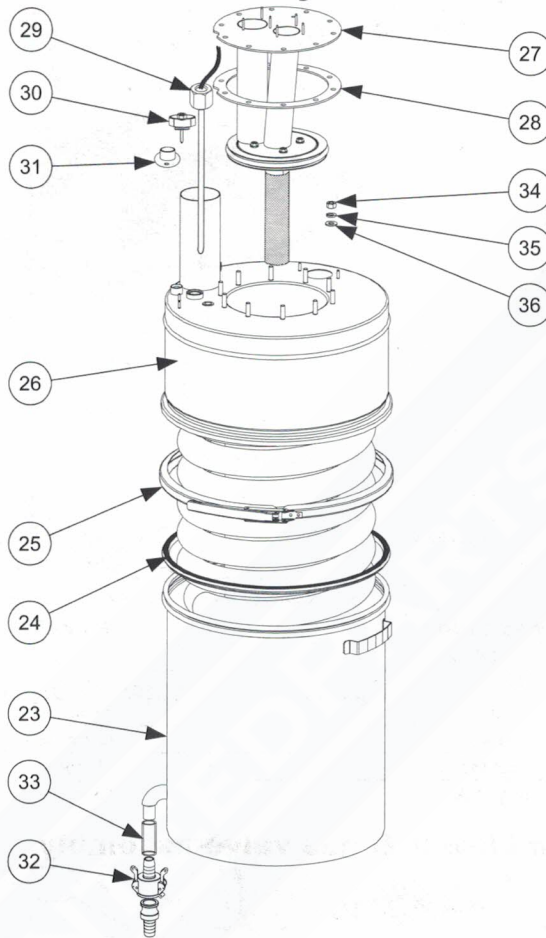


General



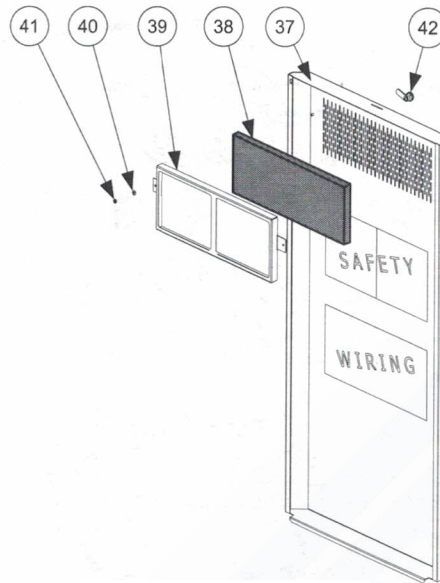
Item	Description	Model	Part number
1	SKG Cabinet	All models	SW G1012
2	Evaporation chamber assembly		See detail
3	Front door assembly		See detail
4	Front Panel	Master (1 st) module	SP G1002-21
		Slave module	SP G1002-24
5a	Master control PCB (with LCD display)	All models	NW SKGAZMAINSS
5b	BACnet communication PCB	All models	NW SKGAZBACNET-SS
6	Slave control PCB	All models	NW SKGAZSLAVESS
7	Interconnection panel	All models	SW GELECT-ASSY
8	Transformer 230/24Vac – 100VA	All models	SP 3365
9	Combustion blower & gas valve assembly		See detail
10	Combustion blower gasket	All models	SP G2104
11	Igniter holder assembly		See detail
12	Igniter holder gasket	All models	SP G2103
13	Combustion controller	All models	SP G2001
14	Internal flue pipe	SKGE3-0501 to 1001	SP G4211
		SKGE3-1202 to 2002	SP G4222
		SKGE3-2503 to 4004	See detail
		SKGE3-0501 to 2002	SPG 1002-1
15	Flue pipe holder	SKGE3-2503 to 4004	SWG WATFIT1-ASSY
16	Flue pipe gasket	All models	SP G2107
17	Heat shield panel	All models	SP G1012-18
18	Top back cover	All models	SP G1012-9
19	Top front cover	All models	SP G1012-8
20	Back gas pipe panel	All models	SP G1012-7
21	Back door	All models	SP G1012-6
22	Leg	All models	SP G3401

Item 2 - Evaporation chamber assembly detail



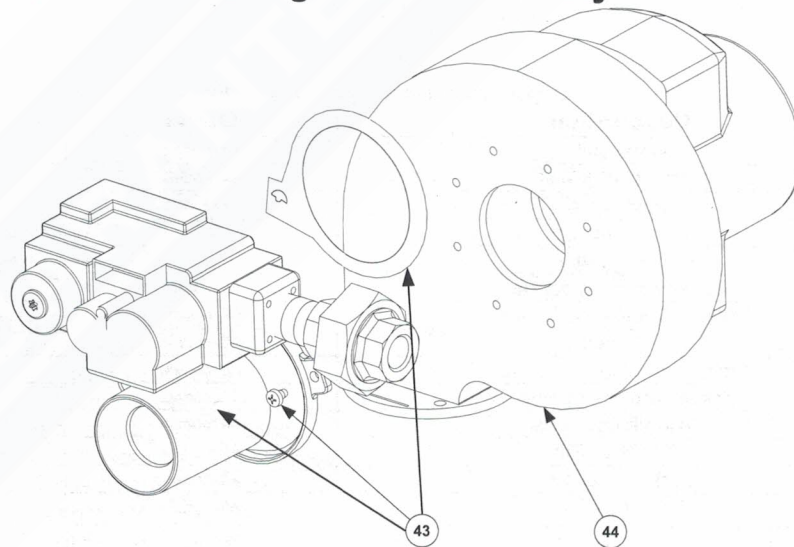
Item	Description	Model	Part number
23	Water tank	All models	SW G3208
24	Water tank gasket	All models	SP G2101
25	Band clamp	All models	SP G3150-M
26	Heat exchanger		See combustion component detail table
27	Burner assembly		See combustion component detail table
28	Burner assembly gasket	All models	SP G2111
29	Water temperature sensor	All models	SW GWATTEMP-ASSY
30	AFEC probe	All models	SW GAFECPROBE-ASSY
31	High temperature limit switch	All models	SP 3035
32	Quick release drain connector	All models	SWG ELECT1-ASSY
33	3/4in silicone hose	All models	SW G3210-ASSY
34	S/S 1/4-20 Nut	All models	SP G9212
35	Lock washer 1/4	All models	SP G9232
36	Flat washer 1/4	All models	SP G1008

Item 3 - Door assembly detail



Item	Description	Model	Part number
37	Front door	All models	SP G1012-5
38	Air filter	All models	SP G4202
39	Air filter holder	All models	SP G1012-27
40	Spring washer	All models	SP 2112
41	Nut M5	All models	NP NEP188
42	Key lock	All models	SP 6854

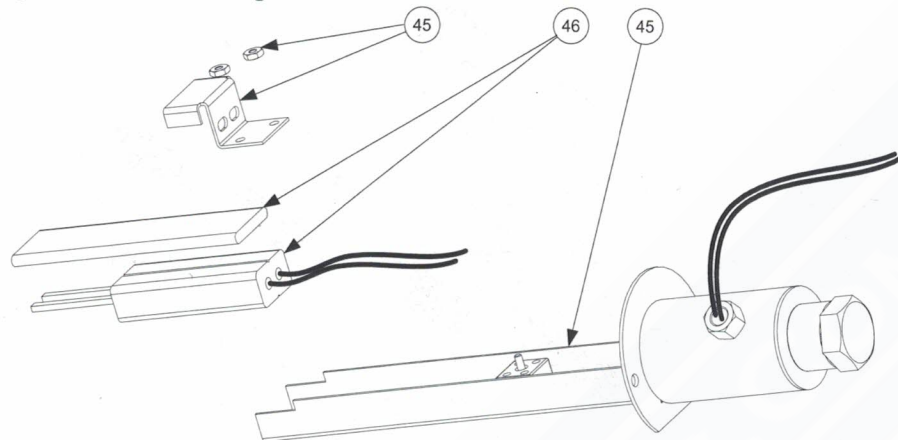
Item 9 - Combustion blower & gas valve assembly



Combustion component detail table

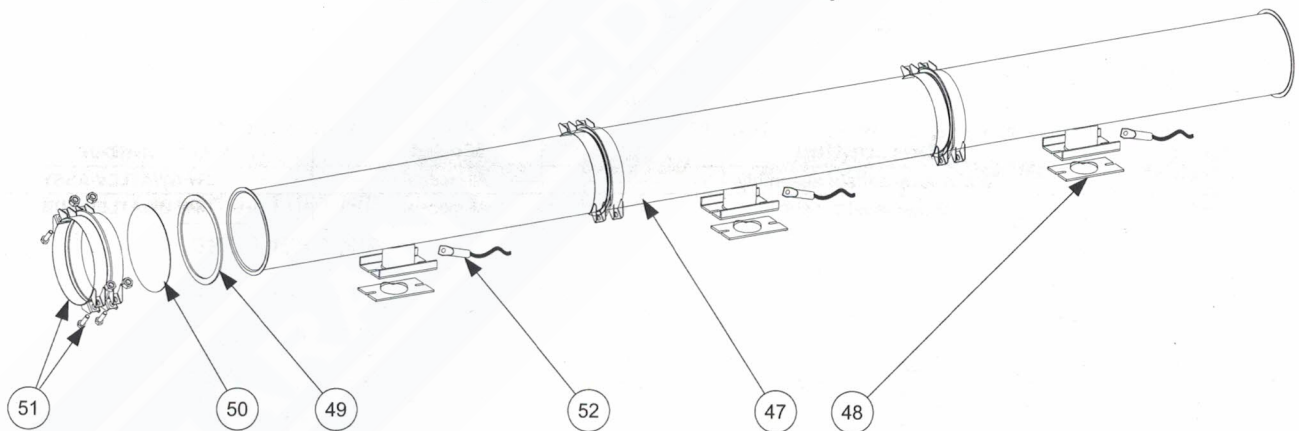
Item	Description	Part number by Module type			
		Module SKG 100	Module SKG 150	Module SKG 180	Module SKG 200
26	Heat Exchanger	SW GTANKCOVER175	SW GTANKCOVER175	SW GTANKCOVER200	SW GTANKCOVER200
27	Burner assembly	SW GBURN100-ASSY	SW GBURN150-ASSY	SW GBURN150-ASSY	SW GBURN200-ASSY
43	Gas valve & Venturi assembly	SWG GASVENT53-ASSY	SWG GASVENT01-ASSY	SWG GASVENT01-ASSY	SWG GASVENT51-ASSY
44	Combustion blower	120V	SP G2017-120	SP G2017-120	SP G2017-120
		208 or 240V	SP G2017-230	SP G2017-230	SP G2017-230
55	Orifice for propane	All models: SP G2114			

Item 11 - Igniter assembly



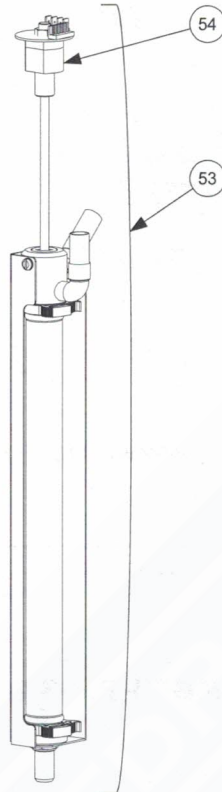
Item	Description	Model	Part number
45	Igniter holder assembly	All models	SW GIGNHOLD-ASSY
46	Igniter	120V	SW GIGNITER-120
		208 or 240V	SW GIGNITER-230

Item 11 - Internal flue pipe (SKGE3-2503 to 4004)



Item	Description	Model	Part number
47	Flue section	SKGE3-2503 to 4004	SP G2201
48	Flue breach pipe gasket	All models	SP G2107
49	Flue joint fiber gasket	SKGE3-2503 to 4004	SP G2108
50	Flue section blind flange	SKGE3-2503 to 4004	SP G2206
51	Flue connection clamp assembly	SKGE3-2503 to 4004	SP G2203
52	Flue temperature sensor	All models	SW GCHIMPROBE-ASSY

Water level sensor assembly



Item	Description	Model	Part number
53	Water level sensor assembly	All models	SW GWATLEV-ASSY
54	Water level sensor	All models	SW GWATLEV-SUB